

## Floating

Size Range:	1/2"-6" (15mm-152mm)
Body Style:	Threaded, Socket Weld/Butt Weld & Flanged
Temperature Range:	-385°F to 428°F (-196°C to 220°C)
Pressure Ratings:	ASME Class 150 and 300 (higher sizes available on request)
Shut-Off Rating:	Class 6
Body Materials:	Carbon Steel/Stainless Steel/Bronze
Ball Materials:	Stainless Steel (others available on request)
Stem Materials:	Stainless Steel
Seat Materials:	RPTFE
Applications:	Oil & Gas, LNG

[BILL OF MATERIALS](#)

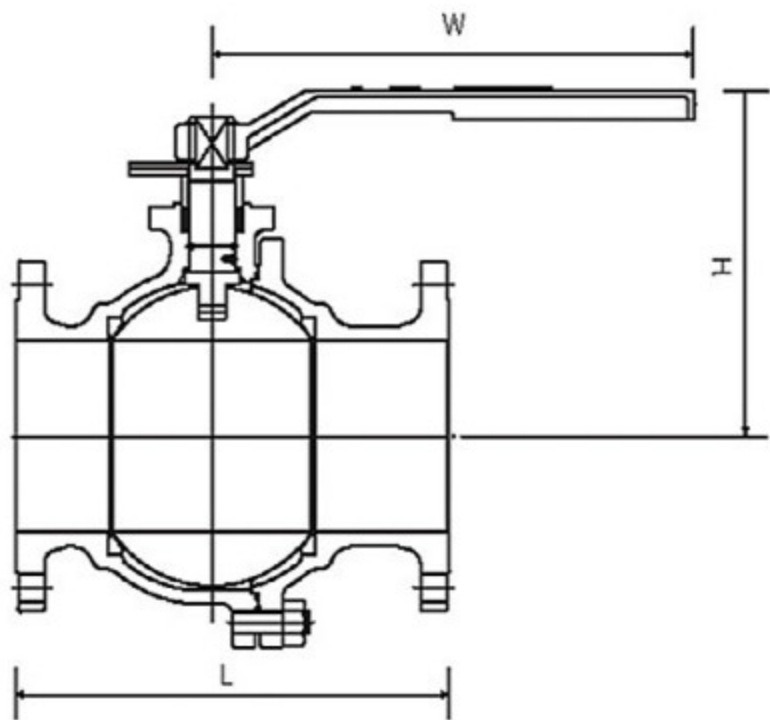
[DRAWINGS](#)

[DIM/WTS](#)

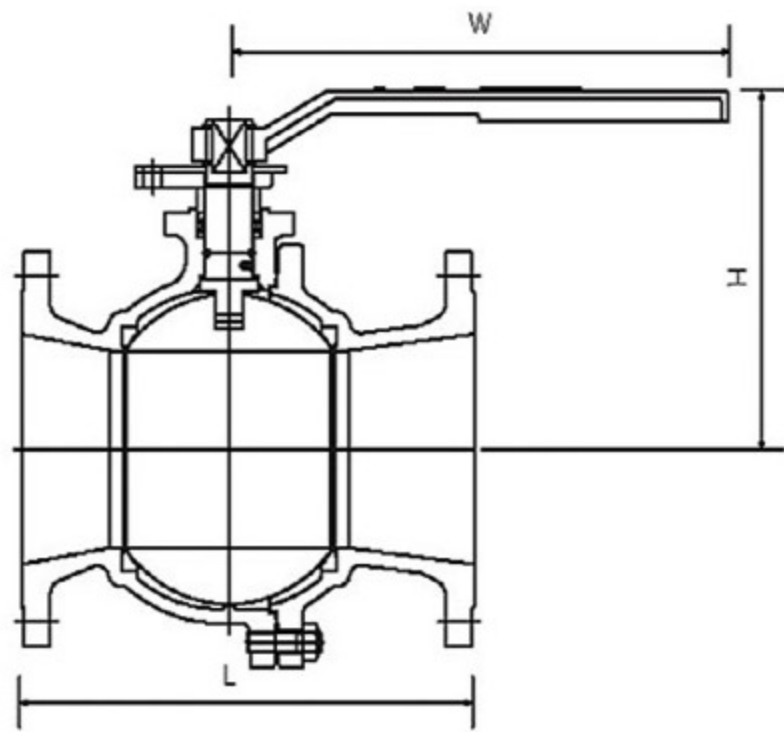
### Two Piece Floating

Item	Name	Material
1	Body	Carbon Steel / Stainless Steel / Bronze
2	Cap	Carbon Steel / Stainless Steel / Bronze
3	Ball	Stainless Steel
4	Stem	Stainless Steel
5	O-Ring	Rubber or HSN
6	Packing Gland	Graphite/Rubber/PTFF
7	Ring Gland	Stainless Steel
8	Flange Gland	Stainless Steel
9	Stopper	Steel/Stainless Steel
10	Bolt Gland	Steel/Stainless Steel
11	Snap Ring	Steel
12	Lever	Ductile Iron
13	Seat Ring	Graphite / Rubber / PTFF
14	Gasket	Graphite / Rubber / PTFF
15	Stud Bolt	Steel/Stainless Steel
16	Nut	Steel/Stainless Steel

\*Please note that the above Bill of Materials is not exhaustive. Please contact us for further details.



Two-Piece Floating Ball Valves - Class 150



Two-Piece Floating Ball Valves - Class 300

**FLOATING TWO PIECE CLASS 150LB**

SIZE	UNIT	Ball Bore	L	H	W	WEIGHT (kg)
1 1/2"	mm	38	165	100	245	8
	in	1.5	6.5	3.9	9.6	
2x1 1/2	mm	38	178	127	245	9
	in	1.5	7.0	5.0	9.6	
2	mm	51	178	140	245	11
	in	2.0	7.0	5.5	9.6	
3x2	mm	51	203	140	245	15
	in	2.0	8.0	5.5	9.6	
3	mm	76	203	176	245	22
	in	3.0	8.0	6.9	9.6	
4x3	mm	76	229	176	245	25
	in	3.0	9.0	6.9	9.6	
4	mm	102	229	202	355	34
	in	4.0	9.0	8.0	14.0	
6x4	mm	102	394	202	355	64
	in	4.0	15.5	8.0	14.0	
6	mm	152	394	277	445	84
	in	6.0	15.5	10.9	17.5	
8x6	mm	152	457	277	445	100
	in	6.0	18.0	10.9	17.5	
8	mm	203	457	312	385	120
	in	8.0	18.0	12.3	15.2	
10x8	mm	203	533	312	385	150
	in	8.0	21.0	12.3	15.2	

**FLOATING TWO PIECE CLASS 300LB**

SIZE	UNIT	Ball Bore	L	H	W	WEIGHT (kg)
1 1/2"	mm	38	191	100	245	9
	in	1.5	7.5	3.9	9.6	
2x1 1/2	mm	38	216	127	245	12
	in	1.5	8.5	5.0	9.6	
2	mm	51	216	140	245	14
	in	2.0	8.5	5.5	9.6	
3x2	mm	51	283	140	245	22
	in	2.0	11.1	5.5	9.6	
3	mm	76	283	176	245	31
	in	3.0	11.1	6.9	9.6	
4x3	mm	76	305	176	245	39
	in	3.0	12.0	6.9	9.6	
4	mm	102	305	202	355	46
	in	4.0	12.0	8.0	14.0	
6x4	mm	102	403	202	355	84
	in	4.0	15.88	8.0	14.0	
6	mm	152	403	277	445	106
	in	6.0	15.88	10.9	17.5	
8x6	mm	152	502	277	445	130
	in	6.0	19.75	10.9	17.5	
8	mm	203	502	312	385	175
	in	8.0	19.75	12.3	15.2	
10x8	mm	203	568	312	385	190
	in	8.0	22.38	12.3	15.2	

\*Please note that the above DIM/WTS is not exhaustive. Please contact us for further details