

double offset standard

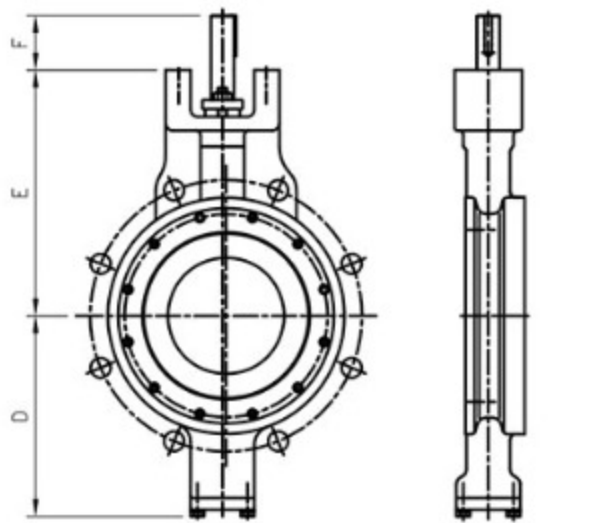
Size Range:	2" – 96" (50mm – 2438mm)
Body Style:	Wafer, Lug, and Flanged
Temperature Range:	Resilient Seal (Soft) -50°F to 428°F (-46°C to 220°C) Metal Seal -50°F to 1652°F (-46°C to 900°C)
Pressure Ratings:	ASME Class 150, 300, 600 and 900
Shut-Off Rating:	Resilient Seal: Zero Leakage. Metal Seal - ANSI Class IV
Body Materials:	Carbon Steel, Stainless Steel & Other Materials
Disc Materials:	Carbon Steel, Stainless Steel & Other Materials
Stem Materials:	316 SS, 17-4PH, Monel, Duplex, Inconel & Other Materials
Seal Materials:	R-Seal - RPTFE. M-Seal - 316 58, Inconel
Applications:	Petroleum Refinery, Fossil Power Plants, Petrochemical, Nuclear Power Plants, Cryogenic, Oil & Gas

[INFO](#)[BILL OF MATERIALS](#)[DRAWINGS](#)[DIM/WTS](#)

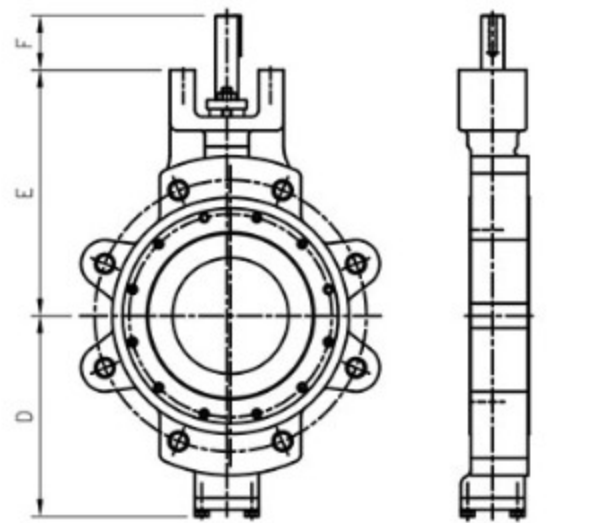
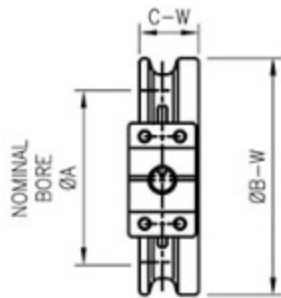
Zero leakage
Less seat wear, Low torque
Long usage life
Fire Safe Design (optional)
Various seat/body materials available

Item	Name	Material
1	Body	Carbon Steel / Stainless Steel / Ni-Al-Bronze Hastelloy / Inconel / Titanium / Other
2	Disc	Carbon Steel / Stainless Steel / Ni-Al-Bronze Hastelloy / Inconel / Titanium / Other
3	Seal	Carbon Steel / Stainless Steel / Ni-Al-Bronze Hastelloy / Inconel / Titanium / Other
4	Shaft	Stainless Steel / Monel / Inconel
5	Retainer	Carbon Steel / Stainless Steel / Ni-Al-Bronze Hastelloy / Inconel / Titanium
6	Packing Gland	Carbon Steel / Stainless Steel / Ni-Al-Bronze Hastelloy / Inconel / Titanium
7	Bottom Cover	Carbon Steel / Stainless Steel / Ni-Al-Bronze Hastelloy / Inconel / Titanium
8	Actuator Stand	Carbon Steel / Stainless Steel
9	Shaft Bearing	Stainless Steel + Teflon Stainless Steel/Bronze
10	Packing	Graphite / PTFE
11	Thrust Plate	Stainless Steel + Teflon Stainless Steel/Bronze
12	Bottom Gasket	Graphite / PTFE
13	Seat Gasket	Graphite / PTFE

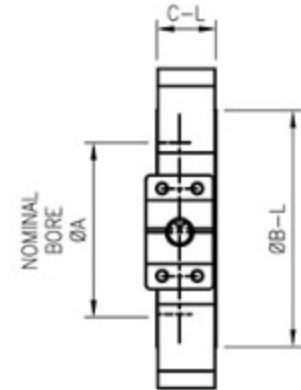
*Please note that the above Bill of Materials is not exhaustive. Please contact us for further details.



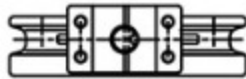
BODY TYPE:
WAFER



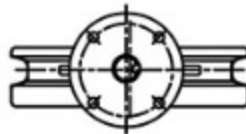
BODY TYPE:
LUGGED



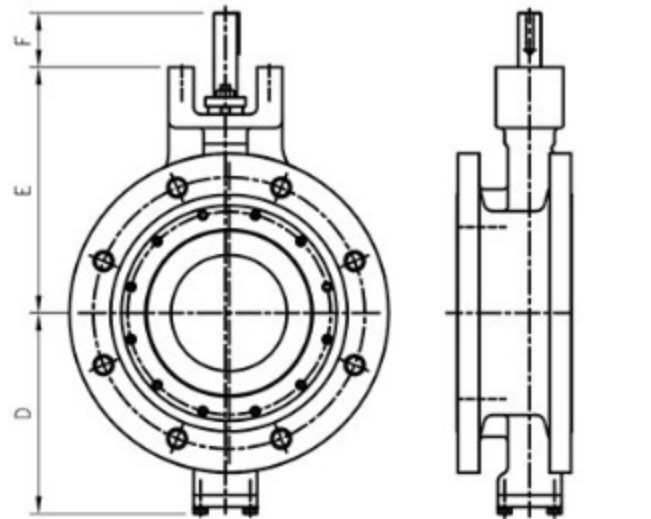
STANDARD VALVE
TOP WORKS MOUNTING



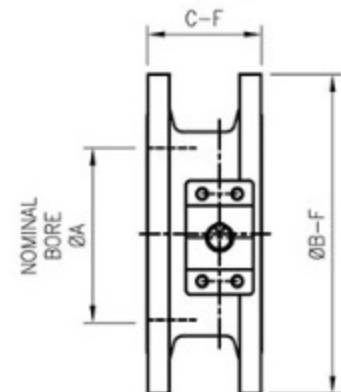
ALTERNATIVE ISO 5211
TOP WORKS MOUNTING



NOTE:
KEY IN LINE WITH DISC



BODY TYPE:
FLANGED



CLASS 150LB

SIZE		A	B- W	B- L	B- F	C- W	C- L	C- F	D	E	F	WEIGHT (Approx) (kg)		
Inch	mm											W	L	F
2"	50	50	92	92	165	43	43	108	118	168	45	5	8	14
2.5"	65	65	105	105	191	46	46	112	133	177	45	6.5	9	18
3"	80	80	127	127	210	48	48	114	144	185	45	10.5	12	22
4"	100	100	157	157	254	54	54	127	164	200	45	15	15	28
5"	125	125	136	136	280	57	57	140	188	217	45	18	20	37
6"	150	150	216	216	318	57	57	140	205	240	45	25	29	44
8"	200	200	270	270	381	64	64	152	223	270	60	36	44	64
10"	250	250	324	324	445	71	71	165	275	320	60	56	65	87
12"	300	300	381	381	521	81	81	178	308	350	60	68	80	123
14"	350	336	413	413	534	92	92	190	346	395	75	93	130	155
16"	400	390	470	470	648	102	102	216	385	445	75	121	144	224
18"	450	440	533	533	711	114	114	222	410	490	100	144	191	255
20"	500	490	585	585	775	127	127	229	448	500	100	160	226	321
24"	600	590	692	692	914	154	154	267	515	565	100	284	339	475
26"	650	640	*	*	*	165	165	*	551	620	100	327	418	565
28"	700	690	*	*	*	165	165	*	596	6+50	100	388	519	685
30"	750	740	*	*	*	190	190	*	620	695	150	462	620	818
32"	800	790	*	*	*	190	190	*	645	740	150	607	783	1050
36"	900	890	*	*	*	203	203	*	710	805	150	860	1102	1350
40"	1000	990	*	*	*	216	216	*	770	870	150	1180	1450	1720

CLASS 300LB

SIZE		A	B- W	B- L	B- F	C- W	C- L	C- F	D	E	F	WEIGHT (Approx) (kg)		
Inch	mm											W	L	F
2"	50	50	92	92	165	43	43	108	118	168	45	5	8.5	15
2.5"	65	65	105	105	191	46	46	112	133	177	45	7	9.5	19
3"	80	80	127	127	210	48	48	114	144	185	45	11	12.5	23
4"	100	100	157	157	254	54	54	127	164	200	45	16	16	29
5"	125	125	136	136	280	57	57	140	188	217	45	19	21	39
6"	150	150	216	216	318	57	57	140	205	240	45	26	30	46
8"	200	200	270	270	381	64	64	152	223	270	60	38	46	67
10"	250	250	324	324	445	71	71	165	275	320	60	59	68	91
12"	300	300	381	381	521	81	81	178	308	350	60	71	84	129
14"	350	336	413	413	534	92	92	190	346	395	75	98	136.5	163
16"	400	390	470	470	648	102	102	216	385	445	75	127	151	235
18"	450	440	533	533	711	114	114	222	410	490	100	151	200.5	268
20"	500	490	585	585	775	127	127	229	448	500	100	168	237	337
24"	600	590	692	692	914	154	154	267	515	565	100	298	356	499
26"	650	640	*	*	*	165	165	*	551	620	100	343	439	593
28"	700	690	*	*	*	165	165	*	596	6+50	100	407	545	719
30"	750	740	*	*	*	190	190	*	620	695	150	485	651	859
32"	800	790	*	*	*	190	190	*	645	740	150	637	822	1102.5
36"	900	890	*	*	*	203	203	*	710	805	150	903	1157	1414.5
40"	1000	990	*	*	*	216	216	*	770	870	150	1239	1522.5	1806

*Please note that the above DIM/WTS is not exhaustive. Please contact us for further details