

Triple offset Standard

Size Range: 2" – 54" (50mm – 1350mm) (larger sizes available on request)

Body Style: Wafer, Lug, and Flanged

Temperature Range: -50°F to 1500°F (-46°C to 815°C)

Pressure Ratings: ASME Class 150, 300, 600 and 900

Shut-Off Rating: Zero Leakage

Body Materials: Carbon Steel / Stainless Steel / Ni-Al-Bronze / Hastelloy / Inconel / Titanium / Other

Disc Materials: Carbon Steel / Stainless Steel / Ni-Al-Bronze / Hastelloy / Inconel / Titanium / Other

Stem Materials: 410 SS, 17-4pH, & XM-19 & Other Materials

Seat Materials: 321 SS, 316 SS Hardened, 316 SS Stellite 21 HVOF & Other Materials

Applications: Petroleum Refinery, Fossil Power Plants, Petrochemical, Nuclear Power Plants, Cryogenic, Oil & Gas

[INFO](#)

[BILL OF MATERIALS](#)

[DRAWINGS](#)

[DIM/WTS](#)

Provides higher pressure shut-offs.

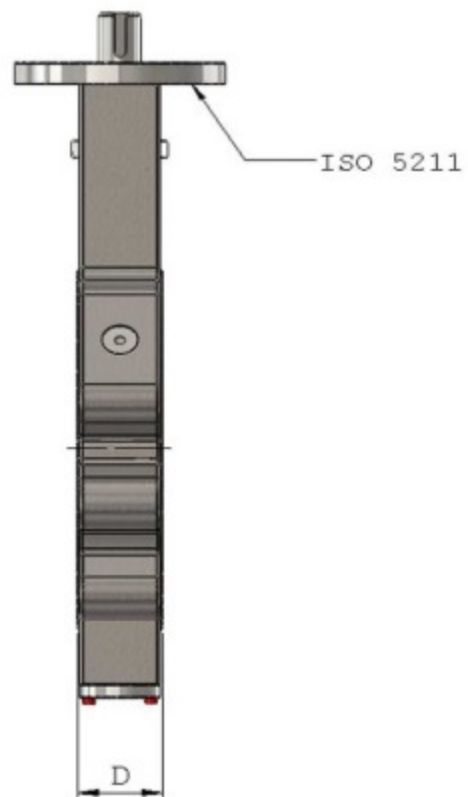
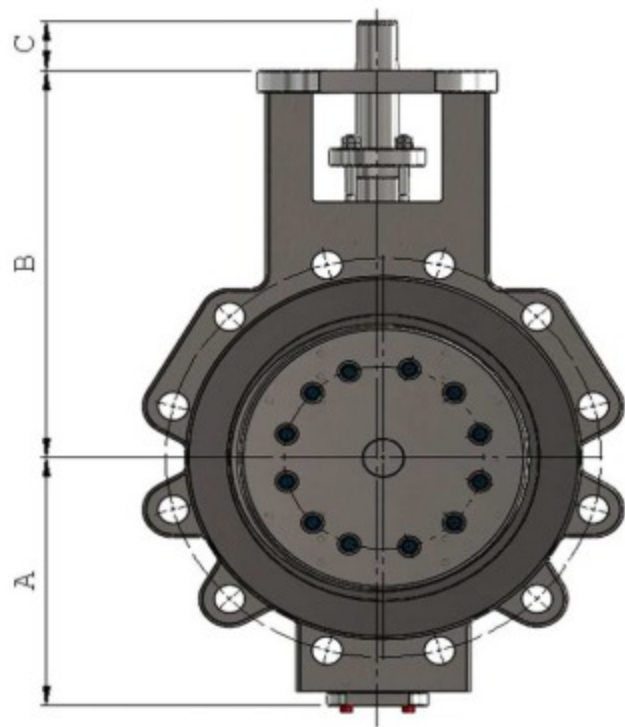
Suitable for electric, pneumatic, hydraulic, manual, electro-hydraulic actuation.

Due to its unique design, the seal and seat come into contact only at the point of complete closure, preventing overtravel of the disc seat.



Item	Name	Material
1	Body	Carbon Steel / Stainless Steel / Ni-Al-Bronze Hastelloy / Inconel / Titanium / Other
2	Disc	Carbon Steel / Stainless Steel / Ni-Al-Bronze Hastelloy / Inconel / Titanium / Other
3	Seal	Metal + Graphite Laminated Stainless Steel / Monel / Inconel
4	Shaft	Stainless Steel / Monel / Inconel
5	Retainer	Carbon Steel / Stainless Steel / Ni-Al-Bronze Hastelloy / Inconel / Titanium
6	Packing Gland	Carbon Steel / Stainless Steel / Ni-Al-Bronze Hastelloy / Inconel / Titanium
7	Bottom Cover	Carbon Steel / Stainless Steel / Ni-Al-Bronze Hastelloy / Inconel / Titanium
8	Actuator Stand	Carbon Steel / Stainless Steel
9	Shaft Bearing	Stainless Steel + Teflon Stainless Steel/Bronze
10	Packing	Graphite / PTFE
11	Thrust Plate	Stainless Steel + Teflon Stainless Steel/Bronze
12	Bottom Gasket	Graphite / PTFE
13	Seat Gasket	Graphite / PTFE

*Please note that the above Bill of Materials is not exhaustive. Please contact us for further details.



CLASS 150LB WAFER/LUG TYPE

SIZE			D	A	B	STEM KEY
WAFER	LUG	mm				C
2"	2"	50	43	120	170	45
2.5"	2.5"	65	46	128	177	45
3"	3"	80	48	141	189	45
4"	4"	100	54	163	200	45
5"	5"	125	57	185	214	45
6"	6"	150	57	206	240	45
8"	8"	200	64	230	280	60
10"	10"	250	71	270	320	60
12"	12"	300	81	308	360	75
14"	14"	350	92	340	390	75
16"	16"	400	102	384	448	75
18"	18"	450	114	405	490	100
20"	20"	500	127	445	500	100
22"	22"	550	154	482	528	100
24"	24"	600	154	511	570	100
	26"	650	210	545	645	120
	28"	700	229	570	649	120
	30"	750	230	600	682	120
	32"	800	241	645	740	120
	36"	900	241	697	767	150
	40"	1000	300	770	870	150
	44"	1100	350	832	930	150
	48"	1200	350	890	997	220

CLASS 150LB FLANGE TYPE

SIZE		D	A	B	STEM KEY
Inch	mm				C
2"	50	108	120	170	45
2.5"	65	112	128	177	45
3"	80	114	141	189	45
4"	100	127	163	200	45
5"	125	140	185	214	45
6"	150	140	206	240	45
8"	200	152	230	280	60
10"	250	165	270	320	60
12"	300	178	305	360	75
14"	350	190	340	390	75
16"	400	216	384	448	75
18"	450	222	405	490	100
20"	500	229	445	500	100
24"	600	267	511	570	100
26"	650	292	545	645	120
28"	700	292	570	649	120
30"	750	318	600	682	120
32"	800	318	645	740	120
36"	900	330	697	767	150
40"	1000	410	770	870	150
44"	1100	470	832	930	150
48"	1200	470	896	997	220
54"	1350	470	1050	1200	220

CLASS 300LB LUG TYPE

SIZE		D	A	B	STEM KEY
Inch	mm				C
3"	80	48	153	193	45
4"	100	54	175	215	45
5"	125	57	191	230	45
6"	150	59	221	254	60
8"	200	73	250	305	75
10"	250	83	293	353	75
12"	300	92	343	383	100
14"	350	117	367	408	100
16"	400	133	412	484	100
18"	450	149	445	525	120
20"	500	159	475	587	120
22"	550	171	490	610	120
24"	600	181	548	655	150
26"	650	210	581	682	150
28"	700	229	630	726	180
30"	750	230	656	753	180
32"	800	241	700	800	180
34"	850	241	733	843	180
36"	900	241	767	882	220
40"	1000	300	802	917	220
44"	1100	350	840	980	260
48"	1200	350	900	1030	260

CLASS 300LB FLANGE TYPE

SIZE		D	A	B	STEM KEY
Inch	mm				C
3"	80	180	153	193	45
4"	100	190	175	215	45
5"	125	210	191	230	45
6"	150	210	221	254	60
8"	200	230	250	305	75
10"	250	250	293	353	75
12"	300	270	343	383	100
14"	350	290	367	408	100
16"	400	310	412	484	100
18"	450	330	445	525	120
20"	500	350	475	587	120
22"	550	390	490	610	120
24"	600	390	548	655	150
26"	650	410	581	682	150
28"	700	430	630	726	180
30"	750	450	656	753	180
32"	800	470	700	800	180
36"	900	510	767	882	220
40"	1000	550	800	915	220
48"	1200	630	900	1030	260

CLASS 600LB FLANGE TYPE

SIZE		D	A	B	STEM KEY
Inch	mm				C
4"	100	190	215	260	100
5"	125	210	238	301	100
6"	150	210	280	330	100
8"	200	230	310	349	100
10"	250	250	352	420	120
12"	300	270	385	452	120
14"	350	290	423	488	120
16"	400	310	480	510	150
18"	450	330	520	610	150
20"	500	350	555	657	150
24"	600	390	600	730	220
28"	700	610	660	760	220
30"	750	610	692	797	220
32"	800	600	737	818	220
36"	900	711	780	870	260
40"	1000	811	840	930	260

CLASS 900LB FLANGE TYPE

SIZE		D	A	B	STEM KEY
Inch	mm				C
8"	200	310	292	390	100
10"	250	350	370	452	100
12"	300	380	400	475	120
14"	350	400	427	515	150
16"	400	430	470	613	180
18"	450	460	545	660	180
20"	500	490	562	687	180
24"	600	530	670	790	220
28"	700	650	703	807	260
30"	750	700	730	841	260
32"	800	750	795	880	260
36"	900	850	832	917	260
40"	1000	950	909	1015	260

*Please note that the above DIM/WTS is not exhaustive. Please contact us for further details