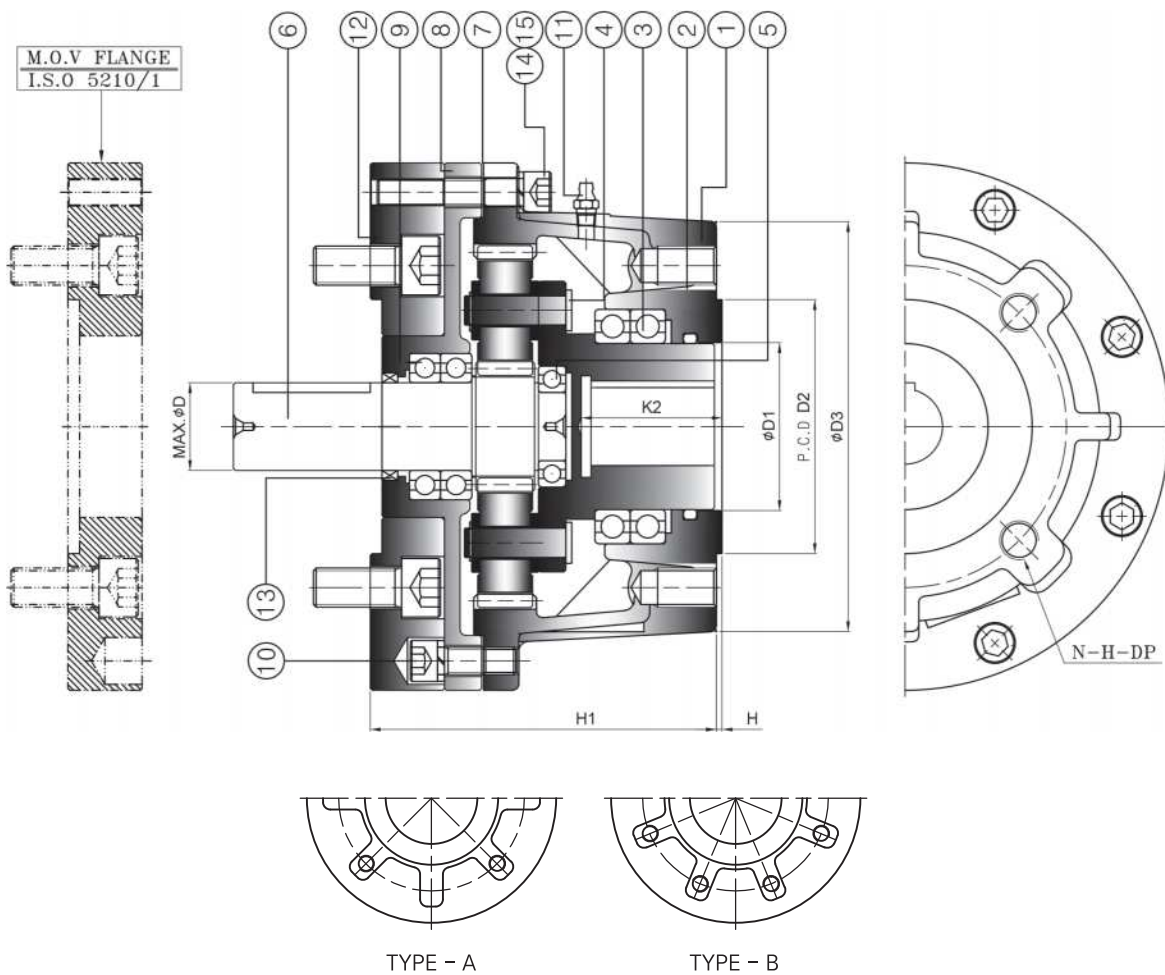


# Planetary Gear Reducer

## Vertical Input



### Dimension

UNIT : mm

MODEL	DIM	BASE PART										SELECTION CHART FOR OPERATORS				
		TYPE	FLANGE	ØD1	P.C.D		ØD3	H	H1	MAX ØD	K2	GEAR RATIO	MAX. Stem Acceptance	MAX. Torque Capacity		
					ØD2	N-H-DP								N · m	ft · lbf	kg
SBPA-10	A	F-07, F-10	70	102	4-M10-18	125	3	117	30	45	3.6 : 1	35(10X8)	600	443	17	
SBPA-12		F-10, F-12	85	125	4-M12-20	150		128	35	48	3.6 : 1	40(12X8)	1200	885	26	
SBPA-14		F-12, F-14	100	140	4-M16-25	175		160	40	58	3.6 : 1	50(14X9)	1800	1327	36	
SBPA-16		F-14, F-16	130	165	4-M20-30	210		177	45	68	4 : 1	60(18X11)	2800	2065	48	
SBPA-25	B	F-16, F-25	200	254	8-M16-25	300	3	194	50	78	5 : 1	70(20X12)	4800	3540	63	

# Planetary Gear Reducer



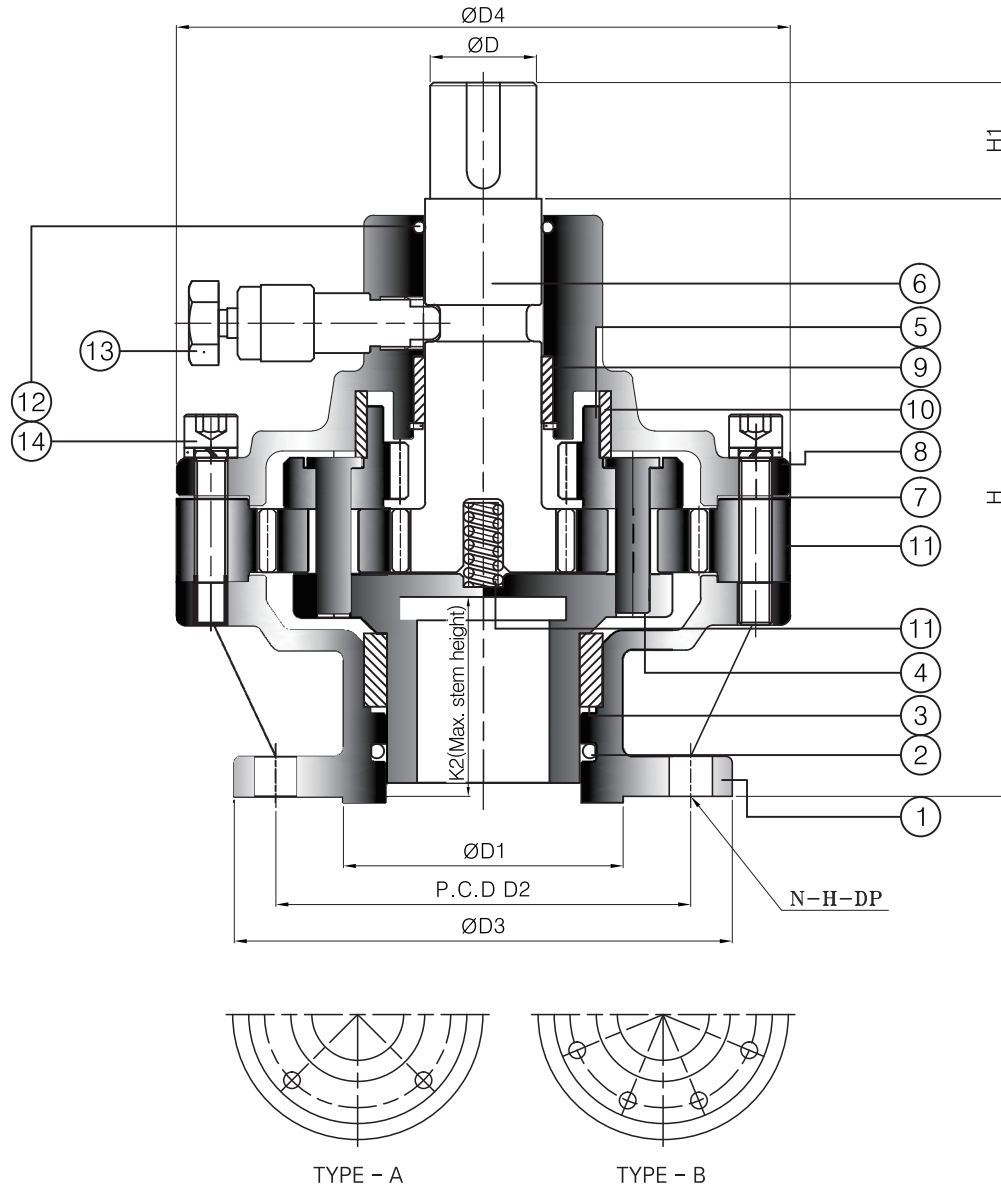
## ❖ Part List

NO	PART NAME	MATERIAL	NO	PART NAME	MATERIAL
1	Out Base	Ductile Iron	9	Ball Bearing	A295-52100
2	O-Ring	NBR	10	Wrench Bolt	A193-B7
3	Bearing	A295-52100	11	Grease Nipple	Steel
4	Carrier Kit	Steel	12	Input Base	Steel
5	Ball Bearing	A295-52100	13	Oil Seal	NBR
6	Sun Pinion	A576-1045	14	Washer Spring	Steel
7	Gasket	N-Asbestos	15	Wrench Bolt	A193-B7
8	Support Pad	Ductile Iron			

Size and component specification in this catalogue are subject to change without prior notice for quality improvement.

# Planetary Gear Reducer

## Dual Input Speed

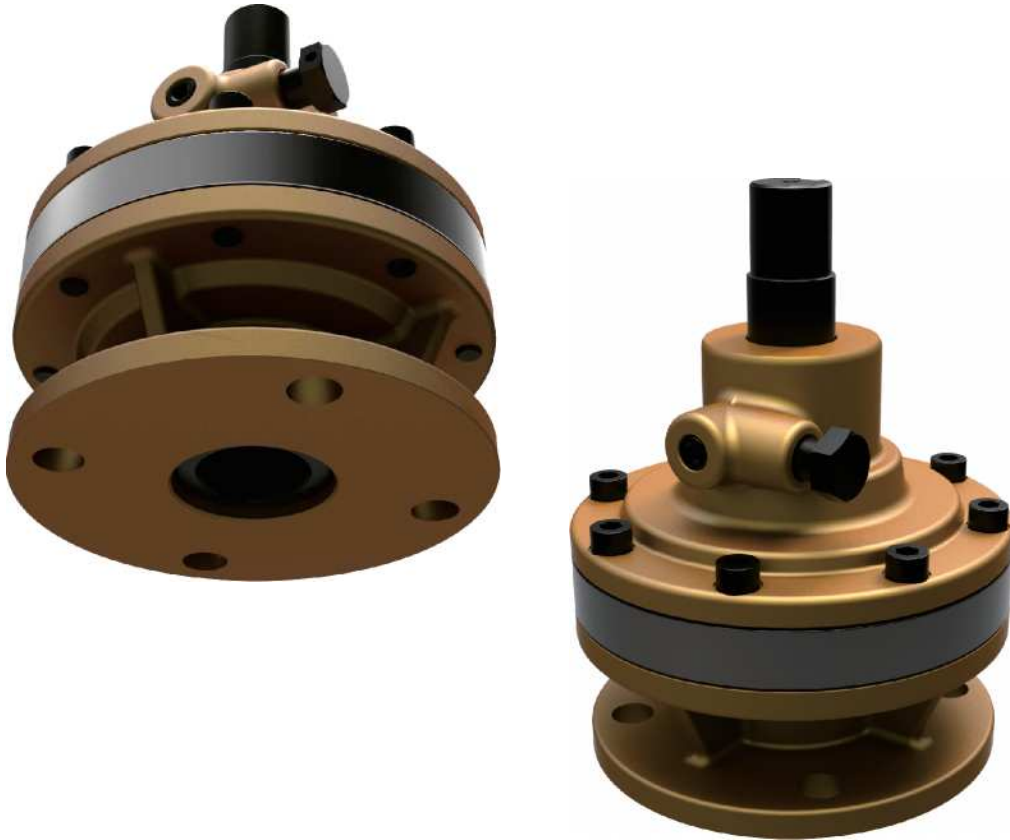


### Dimension

UNIT : mm

DIM MODEL	BASE PART					EXTERNAL PART					INPUT SHAFT PART						
	TYPE	FLANGE	ØD1	P.C.D		ØD3	H	H1	ØD4	ØD	K2	GEAR RATIO		MAX. Stem Acceptance	MAX. Torque Capacity		WEIGHT
				ØD2	N-H-DP							PRIMARY	SECOND		N · m	ft · lbf	
SB-DS10	A	F-07,F-10	70	102	4-Ø10-18	125	160	35	150	26	90	1:1	3.6:1	70	300	221	18
SB-DS12		F-10,F-12	85	125	4-Ø12-20	150	180	35	185	32	80	1:1	3.6:1	60	600	443	27
SB-DS14		F-12,F-14	100	140	4-Ø16-25	175	210	35	225	32	70	1:1	3.6:1	50	1200	885	38
SB-DS16		F-14,F-16	130	165	4-Ø20-30	210	237	44	250	38	60	1:1	4:1	40	1800	2065	51
SB-DS25	B	F-16,F-25	200	254	8-Ø16-25	300	260	44	330	38	50	1:1	5:1	35	2500	1844	68

# Planetary Gear Reducer



## ◆ Part List

NO	PART NAME	MATERIAL	NO	PART NAME	MATERIAL
1	OUT BASE	DUCTILE IRON	8	COVER	DUCTILE IRON
2	O-RING	NBR	9	BUSHING	BRASS
3	BUSHING	BRASS	10	BUSHING	BRASS
4	CARRIER KIT	STEEL	11	RING GEAR	A576-1045
5	COVERSION GEAR	A576-1045	12	O-RING	NBR
6	SUN PINION	A576-1045	13	FIX PIN	A576-1045
7	GASKET	N-ASBESTOS	14	HEX. BOLT	A193-B7

Size and component specification in this catalogue are subject to change without prior notice for quality improvement.