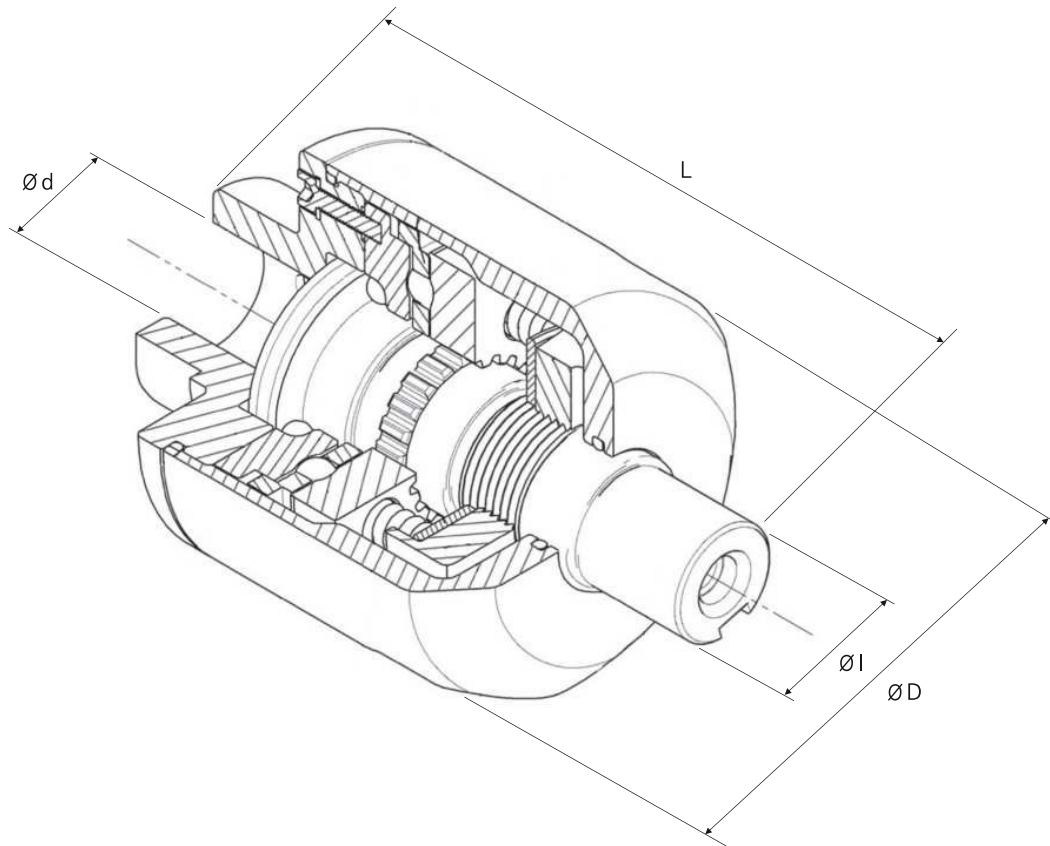


# TORQUE LIMITER

## SB-TL SERIES



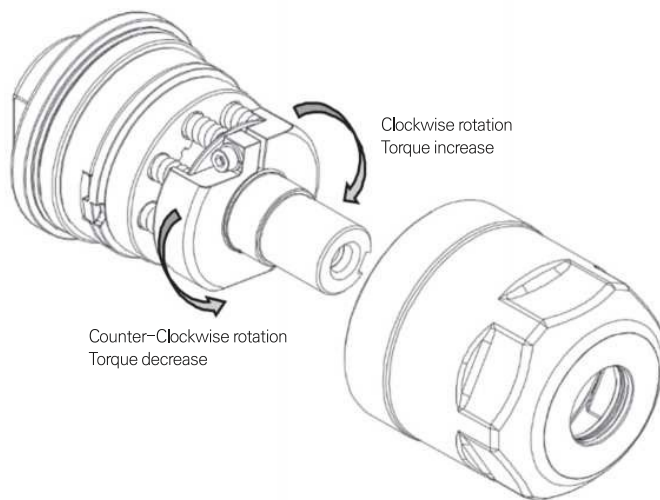
### Dimension

MODEL	External Part		Input	Output	Torque Range (N.m)	Weight (kg)
	Ø D	L	Ø l	Ø d		
	(mm)	(mm)	(mm)	(mm)		
SB-TL50	70	135	MAX Ø16	MAX Ø16	10-50	3.5
SB-TL100	80	158	MAX Ø26	MAX Ø26	50-100	4
SB-TL200	102	172	MAX Ø32	MAX Ø32	100-200	5.5
SB-TL300	118	172	MAX Ø32	MAX Ø38	200-300	9.5
SB-TL400	140	182	MAX Ø38	MAX Ø38	300-400	15

# TORQUE LIMITER

## ❖ Feature

- Water Proof
- Different type
  - ▶ Automatic Re-engage type (Standard)
  - ▶ Clockwise rotation "Close" manual re-engage type
  - ▶ Counter-Clockwise rotation "Close" manual re-engage type
- Easy torque limit adjustment.
- Durable and easy maintenance.
- Variety applications.

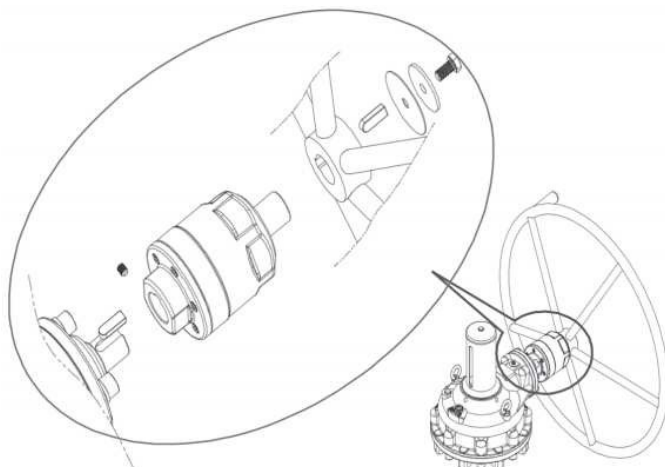


## ❖ Torque Adjustment

1. Remove housing
2. Loosen fixing bolts
3. Adjust the torque by rotating the locking nut
  - ▶ Increase torque when rotating CW
  - ▶ decrease torque when rotating CCW

## ❖ WARNING

- Never make any changes to the torque settings without a skilled professional or our consultants.

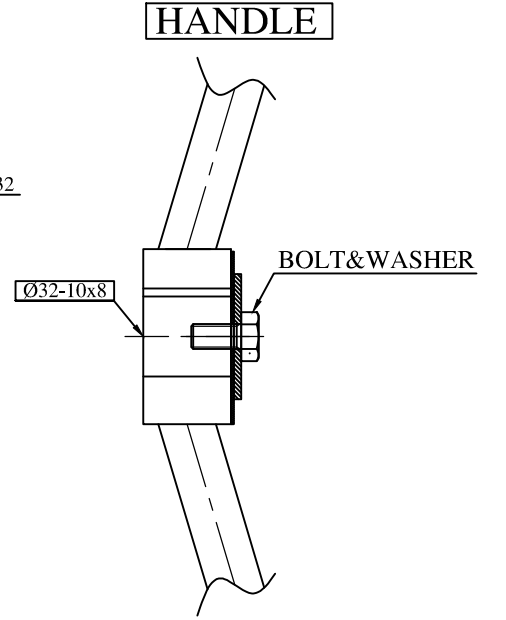
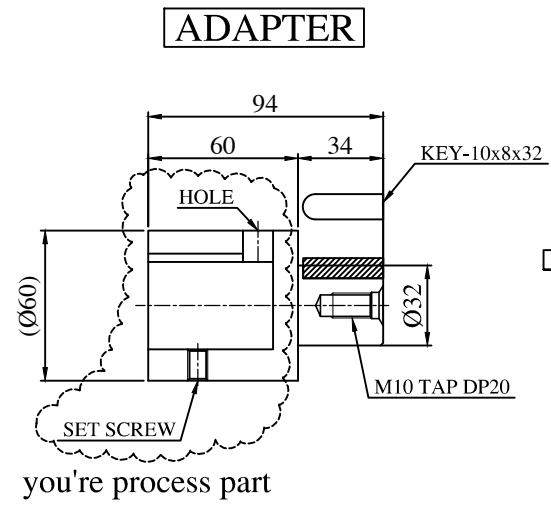
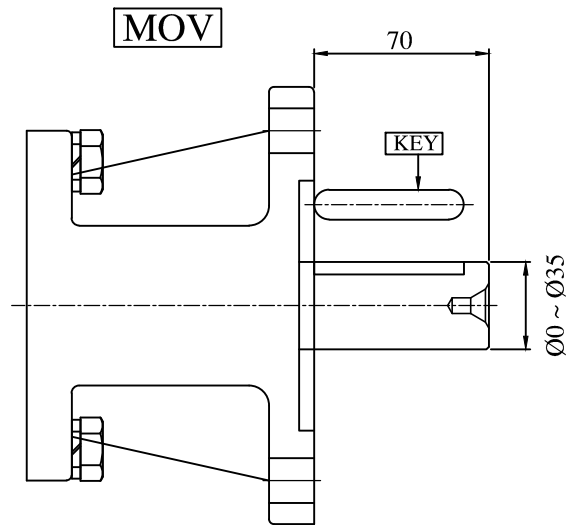


## ❖ Installation

1. Combine with drive (gearbox)
2. Tighten the Set screw
3. Combine with the handwheel kit

Size and component specification in this catalogue are subject to change without prior notice for quality improvement.

MOV SHAFT  
Ø0 ~ Ø35



MOV SHAFT  
Ø40 ~ Ø50

